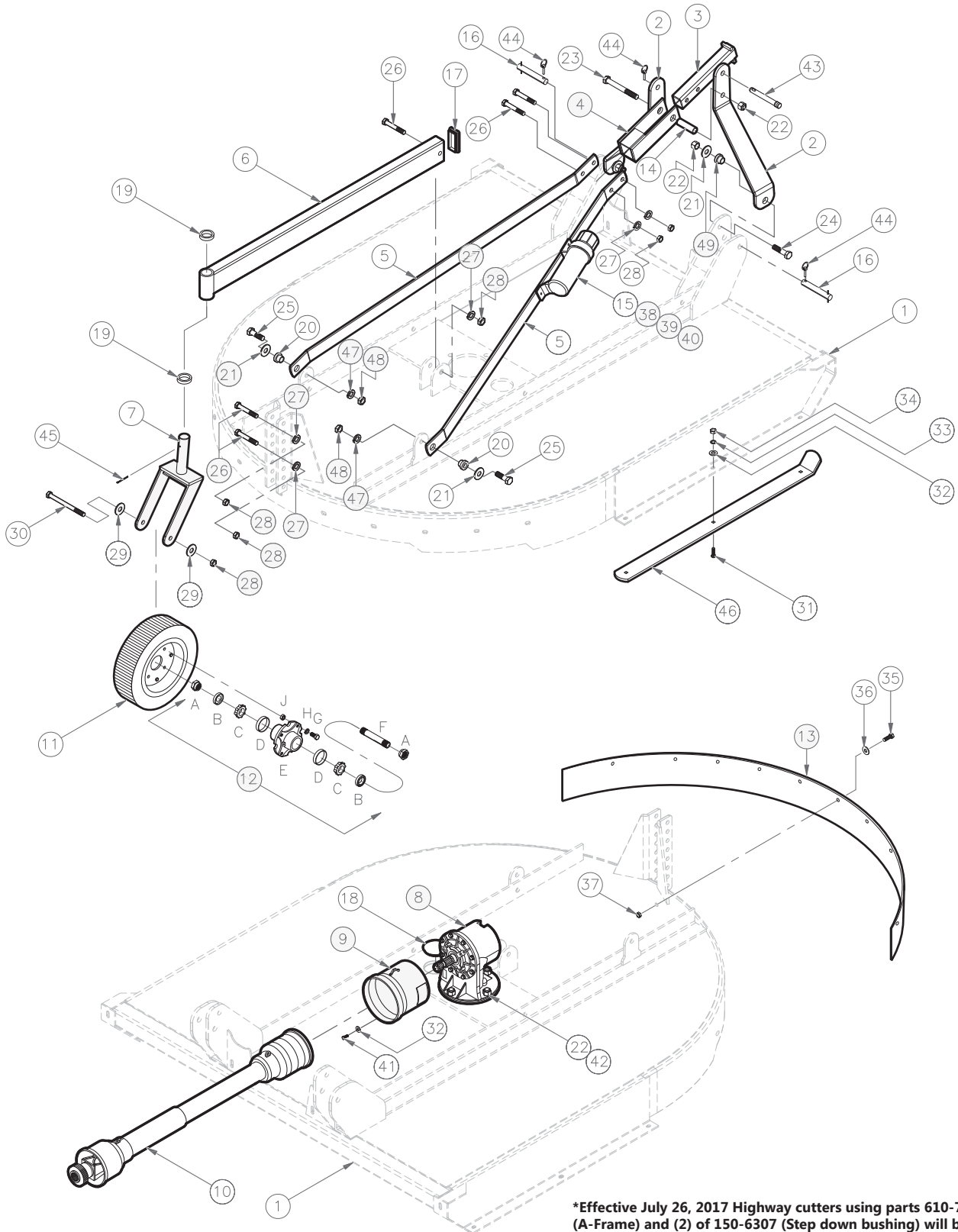


ASSEMBLY/PARTS SECTION



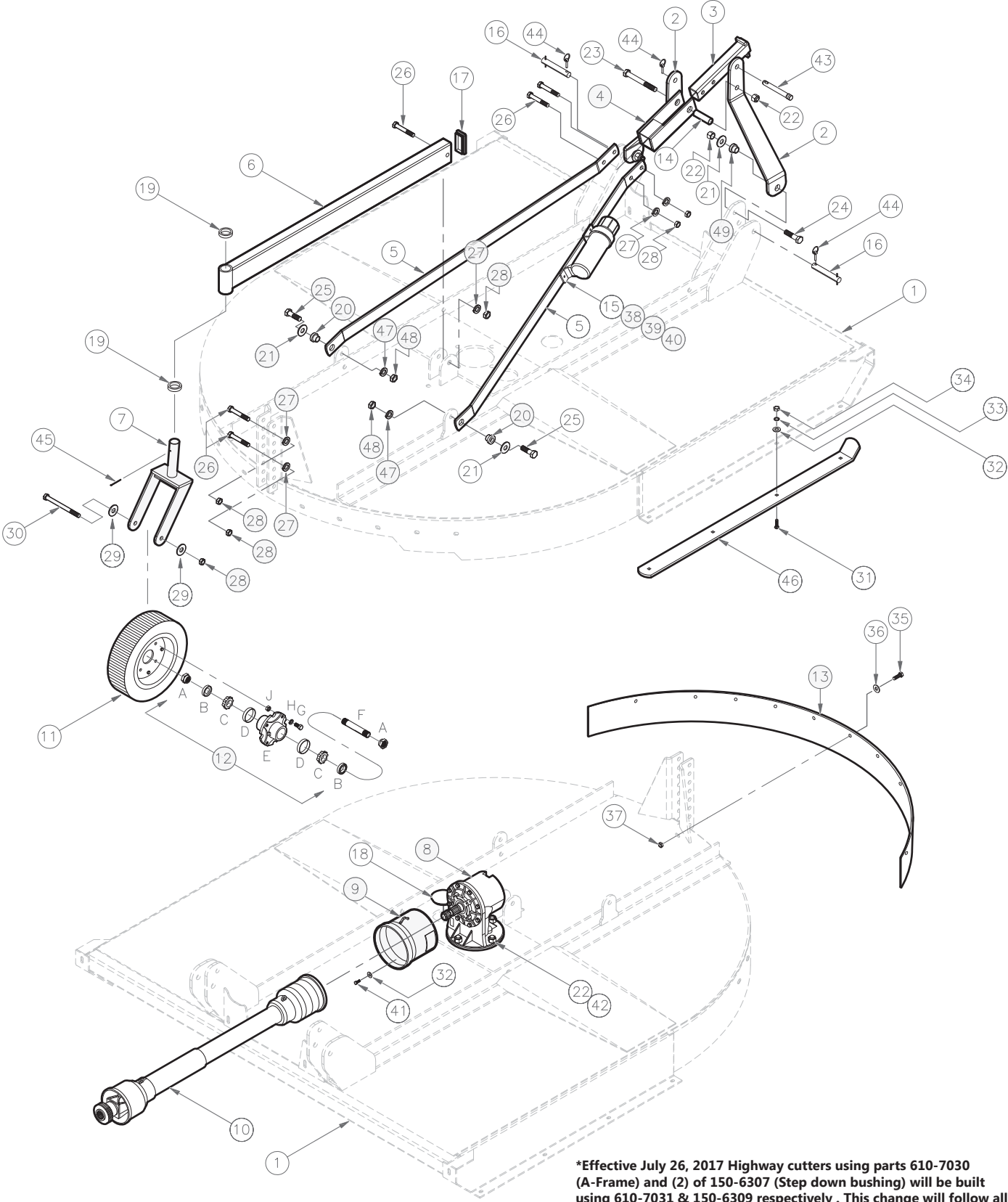
***Effective July 26, 2017 Highway cutters using parts 610-7030 (A-Frame) and (2) of 150-6307 (Step down bushing) will be built using 610-7031 & 150-6309 respectively . This change will follow all cutters going forward beginning with serial number "99808".**

ASSEMBLY/PARTS SECTION

6' Highway Quick Attach Assembly Parts Section

Item	Part Number	Description	Qty
1	401-QA6HWYDECKWIP	6' HIGHWAY Q/A BODY	1
*2	610-7031	Q/A AFRAME	2
3	115-8140	INNER SLIDE TUBE WELDMENT	1
4	115-8145	OUTER SLIDE WELDMENT	1
5	116-1024	STIFF ARM (Q/A)	2
6	101-7127	TAILWHEEL BOOM	1
7	116-6487-01	TAIL WHEEL YOKE	1
8	401-0170	GEARBOX	1
9	415-0007	GEARBOX SHIELD	1
10	401-0312-03	PTO, 1-3/8-6 X 1-3/8-6 FF2	1
11	103-209	LAMINATED TAILWHEEL, 4X8	1
12	900-1444A	TAILWHEEL HUB ASSEMBLY	1
12A	401-0065	TURNDOWN NUT, 1"	2
12B	322-2703	T/W SEAL	2
12C	324-3227	BEARING CONE, L44634	2
12D	324-3226	BEARING RACE, L44610	2
12E	325-2510	T/W HUB W/CUPS	1
12F	105-1159	5-3/8" THD T/W SLEEVE	1
12G	512-0650	BOLT, 1/2"-20 X 1"	4
12H	412-0072	LOCK WASHER, 1/2"	4
12J	412-0055	NUT, 1/2"-20	4
13	104-1907	REAR RUBBER SAFETY GUARD	1
14	412-5407	BUSHING, 3"	1
15	412-9099	MANUAL HOLDER	1
16	412-6389	LIFT PIN, 7/8' X 5-1/2", CAT 1	2
17	116-1657	T/W BOOM PLUG	1
18	116-1656	MOWER DECK PLUG	1
19	101-7552	SPACER, T/W YOKE	2
20	150-6307	SMALL STEP DOWN BUSHING	4
21	412-0077	FLAT WASHER, 3/4"	4
22	412-0060	NYLOCK NUT, 3/4"	7
23	412-2133	BOLT, 3/4" X 6-1/2"	1
24	412-0032-02	BOLT, 3/4" X 3" GR5	2
25	412-2755	BOLT, 3/4" X 2-1/2"	2
26	412-11320	BOLT, 5/8" X 4" GR5	5
27	412-0073	LOCK WASHER, 5/8"	5
28	412-0059	HEX NUT, 5/8"	6
29	412-0076	FLAT WASHER, 5/8"	2
30	412-5283	BOLT, 5/8" X 7-1/2" GR5	1
31	412-03229	PLOWBOLT, 3/8" X 1-1/2"	6
32	412-0075	FLAT WASHER, 3/8"	10
33	412-0071	LOCKWASHER, 3/8"	6
34	412-0657	HEX NUT, 3/8"	6
35	412-7250	BOLT, 1/2" X 1"	11
36	412-0072-01	FLAT WASHER, 1/2"	11
37	412-0058	HEX NUT, 1/2"	11
38	412-0009	BOLT, 1/4" X 1-1/4"	2
39	412-0007	LOCK WASHER, 1/4"	2
40	412-0082	HEX NUT, 1/4"	2
41	412-2004	BOLT, 5/16" X 3/4"	4
42	115-8146	GEAR BOX BOLT STRAP, 3/4"	2
43	150-1466	TOP LINK PIN, 6-5/16"	1
44	154-1533	LYNCH PIN, 7/16"	3
45	412-0081	COTTER PIN	1
46	108-6006	HIGHWAY SKID SHOE, 3-HOLE	2
47	412-0074	LOCK WASHER, 3/4"	2
48	412-0061	HEX NUT, 3/4" NC	2
*49	150-6309	STEP DOWN BUSHING-HWY	2

ASSEMBLY/PARTS SECTION



***Effective July 26, 2017 Highway cutters using parts 610-7030 (A-Frame) and (2) of 150-6307 (Step down bushing) will be built using 610-7031 & 150-6309 respectively . This change will follow all cutters going forward beginning with serial number "99808".**

ASSEMBLY/PARTS SECTION

7' Highway Quick Attach Assembly Parts Section

Item	Part Number	Description	Qty
1.....	401-QA7HWYDECKWIP	7' HIGHWAY Q/A BODY.....	1
*2.....	610-7031	Q/A AFRAME.....	2
3.....	115-8140	INNER SLIDE TUBE WELDMENT	1
4.....	115-8145	OUTER SLIDE WELDMENT	1
5.....	116-1024	STIFF ARM (Q/A).....	2
6.....	101-7127	TAILWHEEL BOOM.....	1
7.....	116-6487-01	TAIL WHEEL YOKE	1
8.....	401-0170	GEARBOX	1
9.....	415-0007	GEARBOX SHIELD.....	1
10.....	401-0312-03	PTO, 1-3/8-6 X 1-3/8-6 FF2.....	1
11.....	103-209	LAMINATED TAILWHEEL, 4X8	1
12.....	900-1444A	TAILWHEEL HUB ASSEMBLY	1
12A.....	401-0065	TURNDOWN NUT, 1"	2
12B.....	322-2703	T/W SEAL.....	2
12C.....	324-3227	BEARING CONE, L44634.....	2
12D.....	324-3226	BEARING RACE, L44610.....	2
12E.....	325-2510	T/W HUB W/CUPS.....	1
12F.....	105-1159	5-3/8" THD T/W SLEEVE.....	1
12G.....	512-0650	BOLT, 1/2" -20 X 1"	4
12H.....	412-0072	LOCK WASHER, 1/2"	4
12J.....	412-0055	NUT, 1/2" -20	4
13.....	104-1907	REAR RUBBER SAFETY GUARD.....	1
14.....	412-5407	BUSHING, 3"	1
15.....	412-9099	MANUAL HOLDER.....	1
16.....	412-6389	LIFT PIN, 7/8' X 5-1/2", CAT 1	2
17.....	116-1657	T/W BOOM PLUG	1
18.....	116-1656	MOWER DECK PLUG	2
19.....	101-7552	SPACER, T/W YOKE.....	2
20.....	150-6307	SMALL STEP DOWN BUSHING.....	4
21.....	412-0077	FLAT WASHER, 3/4"	4
22.....	412-0060	NYLOCK NUT, 3/4"	7
23.....	412-2133	BOLT, 3/4" X 6-1/2"	1
24.....	412-0032-02	BOLT, 3/4" X 3" GR5	2
25.....	412-2755	BOLT, 3/4" X 2-1/2"	2
26.....	412-11320	BOLT, 5/8" X 4" GR5	5
27.....	412-0073	LOCK WASHER, 5/8"	5
28.....	412-0059	HEX NUT, 5/8"	6
29.....	412-0076	FLAT WASHER, 5/8"	2
30.....	412-5283	BOLT, 5/8" X 7-1/2" GR5.....	1
31.....	412-03229	PLOWBOLT, 3/8" X 1-1/2"	8
32.....	412-0075	FLAT WASHER, 3/8"	12
33.....	412-0071	LOCKWASHER, 3/8"	8
34.....	412-0657	HEX NUT, 3/8"	8
35.....	412-7250	BOLT, 1/2" X 1"	11
36.....	412-0072-01	FLAT WASHER, 1/2"	11
37.....	412-0058	HEX NUT, 1/2"	11
38.....	412-0009	BOLT, 1/4" X 1-1/4"	2
39.....	412-0007	LOCK WASHER, 1/4"	2
40.....	412-0082	HEX NUT, 1/4"	2
41.....	412-2004	BOLT, 5/16" X 3/4"	4
42.....	115-8146	GEAR BOX BOLT STRAP, 3/4"	2
43.....	150-1466	TOP LINK PIN, 6-5/16"	1
44.....	154-1533	LYNCH PIN, 7/16"	3
45.....	412-0081	COTTER PIN.....	1
46.....	108-6065	7'/15' SKID SHOE, 4-HOLE	2
47.....	412-0074	LOCK WASHER, 3/4"	2
48.....	412-0061	HEX NUT, 3/4" NC	2
*49.....	150-6309	STEP DOWN BUSHING-HWY	2