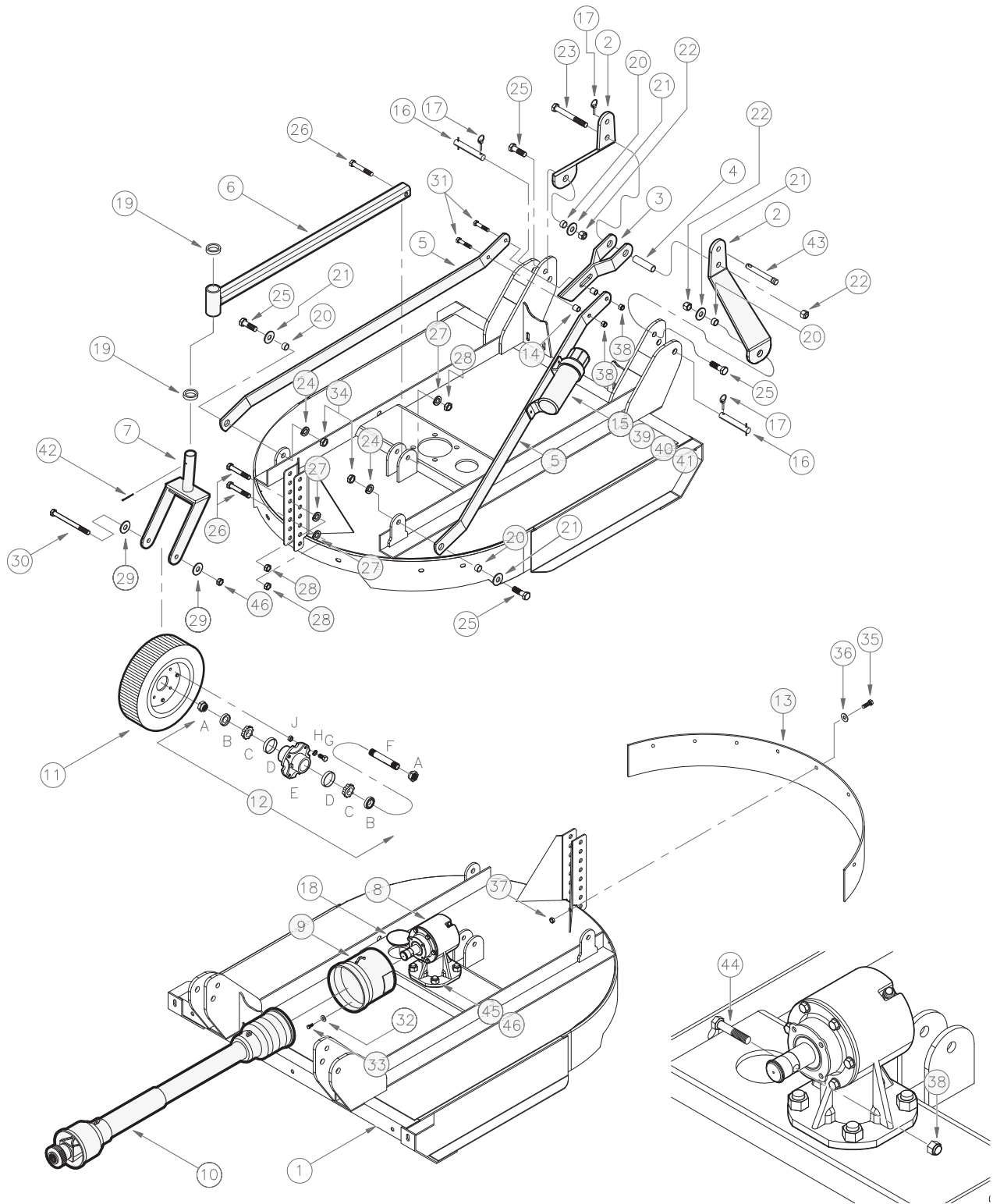


4' COMPETITOR QUICK ATTACH MAIN ASSEMBLY

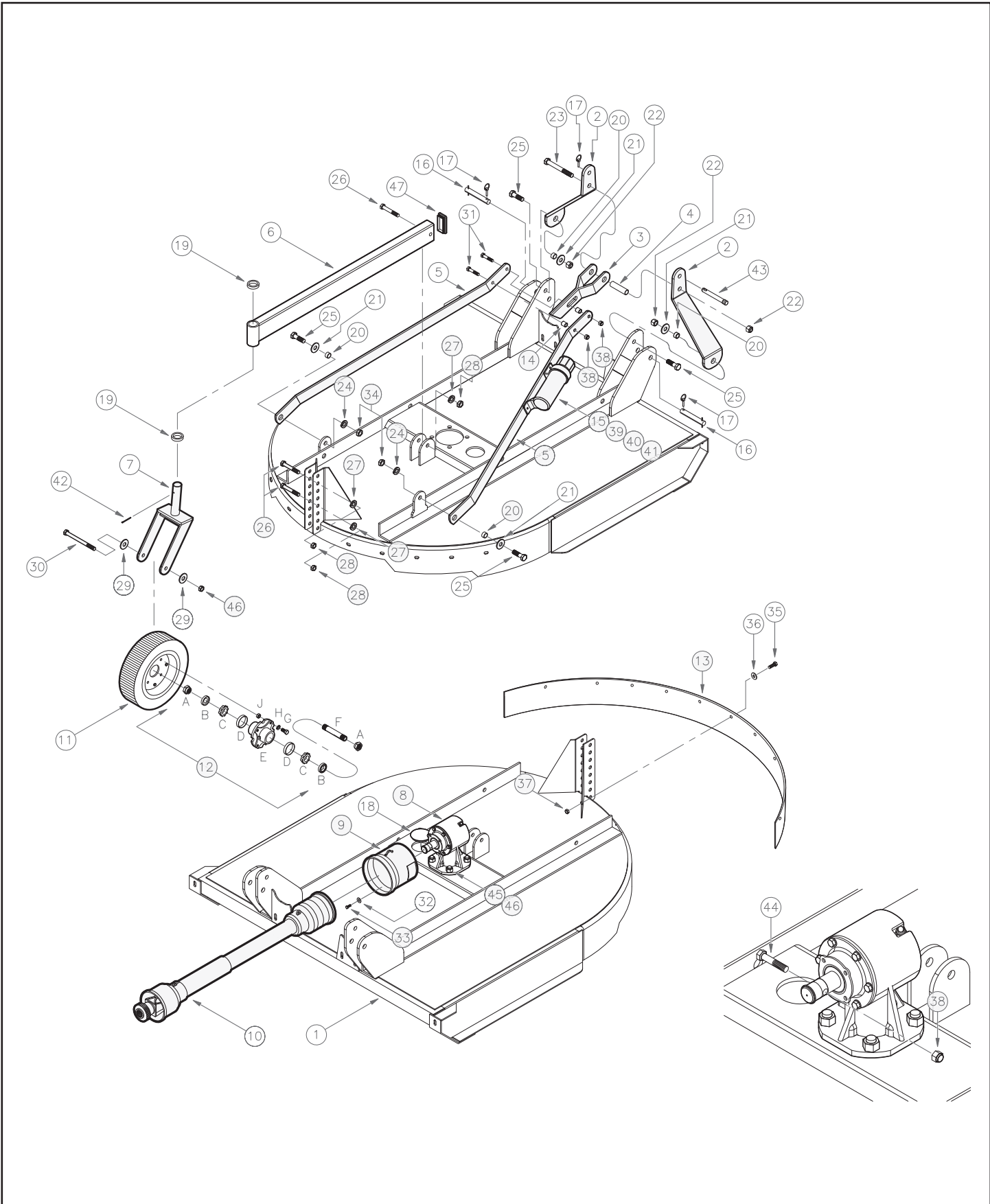


4' COMPETITOR QUICK ATTACH MAIN ASSEMBLY

4' QUICK ATTACH SUPER SUNSHINE PARTS LIST

NO.	PART NUMBER	QTY.	DESCRIPTION
01.....	401-QA4DECKWIP.....	-	4' CUTTER Q/A BODY
02.....	610-7020.....	2	Q/A AFRAME
03.....	115-8134.....	1	QA "Y" PIVOT FLEX
04.....	412-5400.....	1	PIVOT BUSHING, 4"
05.....	116-1035.....	2	STIFF ARM Q/A
06.....	101-8015.....	1	TAIL WHEEL BOOM
07.....	116-6487-01.....	1	TAIL WHEEL YOKE
08.....	401-0007-01.....	1	GEARBOX
09.....	900-0003.....	1	GEARBOX SHIELD
10.....	343-134.....	1	PTO, COMPLETE
11.....	103-209.....	1	LAMINATED TAILWHEEL. 4X9
12.....	900-1444A.....	1	TAIL WHEEL HUB ASSEMBLY
12A.....	401-0065.....	2	TURNDOWN NUT, 1"
12B.....	322-2703.....	2	T/W SEAL
12C.....	324-3227.....	2	BEARING CONE, L44634
12D.....	324-3226.....	2	BEARING RACE. L44610
12E.....	325-2510.....	1	T/W HUB W/CUPS
12F.....	105-1159.....	1	5-3/8' THD T/W SLEEVE
12G.....	512-0650.....	4	BOLT, 1/2"-20 X 1"
12H.....	412-0072.....	4	LOCK WASHER, 1/2"
12J.....	412-0055.....	4	NUT, 1/2"-20
13.....	104-1907.....	1	REAR RUBBER SAFETY GUARD
14.....	412-5405.....	2	BUSHING. 1/2" SCH40 X 13/16"
15.....	412-9099.....	1	MANUAL HOLDER
16.....	412-6389.....	2	LIFT PIN, 7/8" X 5-1/2" CAT 1
17.....	154-1533.....	3	LYNCH PIN, 7/16"
18.....	116-1656.....	1	MOW/ER DECK PLUG
19.....	101-7552.....	2	SPACER, T/W YOKE
20.....	412-5406.....	4	BUSHING, 1" SCH40 X 9/16"
21.....	412-0077.....	4	FLAT WASHER, 3/4"
22.....	412-0060.....	3	NYLOCK NUT, 3/4"
23.....	412-2133.....	1	BOLT, 3/4" X 6-1/2"
24.....	412-0074.....	2	LOCK WASHER, 3/4"
25.....	412-2755.....	4	BOLT, 3/4" X 2-1/2"
26.....	412-11320.....	3	BOLT. 5/8" X 4' GR5
27.....	412-0073.....	3	LOCK WASHER, 5/8"
28.....	412-0059.....	3	HEX NUT, 5/8"
29.....	412-0076.....	2	FLAT WASHER, 5/8"
30.....	412-5283.....	1	BOLT, 5/8" X 7-1/2" GR5
31.....	412-2085.....	2	BOLT, 11/2" X 2-1/2" GR5
32.....	412-0075.....	4	FLAT WASHER, 3/8"
33.....	412-2004.....	4	BOLT, 5/16" X 3/4"
34.....	412-0061.....	2	HEX NUT, 3/4"
35.....	412-7250.....	9	BOLT, 1/2" X 1"
36.....	412-0072-01.....	9	FLAT WASHER, 1/2"
37.....	412-0058.....	9	HEX NUT, 1/2"
38.....	412-3243.....	3	NYLOCK NUT, 1/2"
39.....	412-0009.....	2	BOLT, 1/4" X 1-1/4"
40.....	412-0007.....	2	LOCK WASHER, 1/4"
41.....	412-0082.....	2	HEX NUT, 1/4"
42.....	412-0081.....	1	COTTER PIN
43.....	150-1464.....	1	TOP LINK PIN. 4-3/4"
44.....	412-2088.....	1	BOLT, 1/2" X 3-1/4" GR2
45.....	115-8147.....	2	5/8" GEAR BOX BOLT STRAP
46.....	412-5284.....	5	NYLOCK NUT. 5/8"

5' COMPETITOR QUICK ATTACH MAIN ASSEMBLY

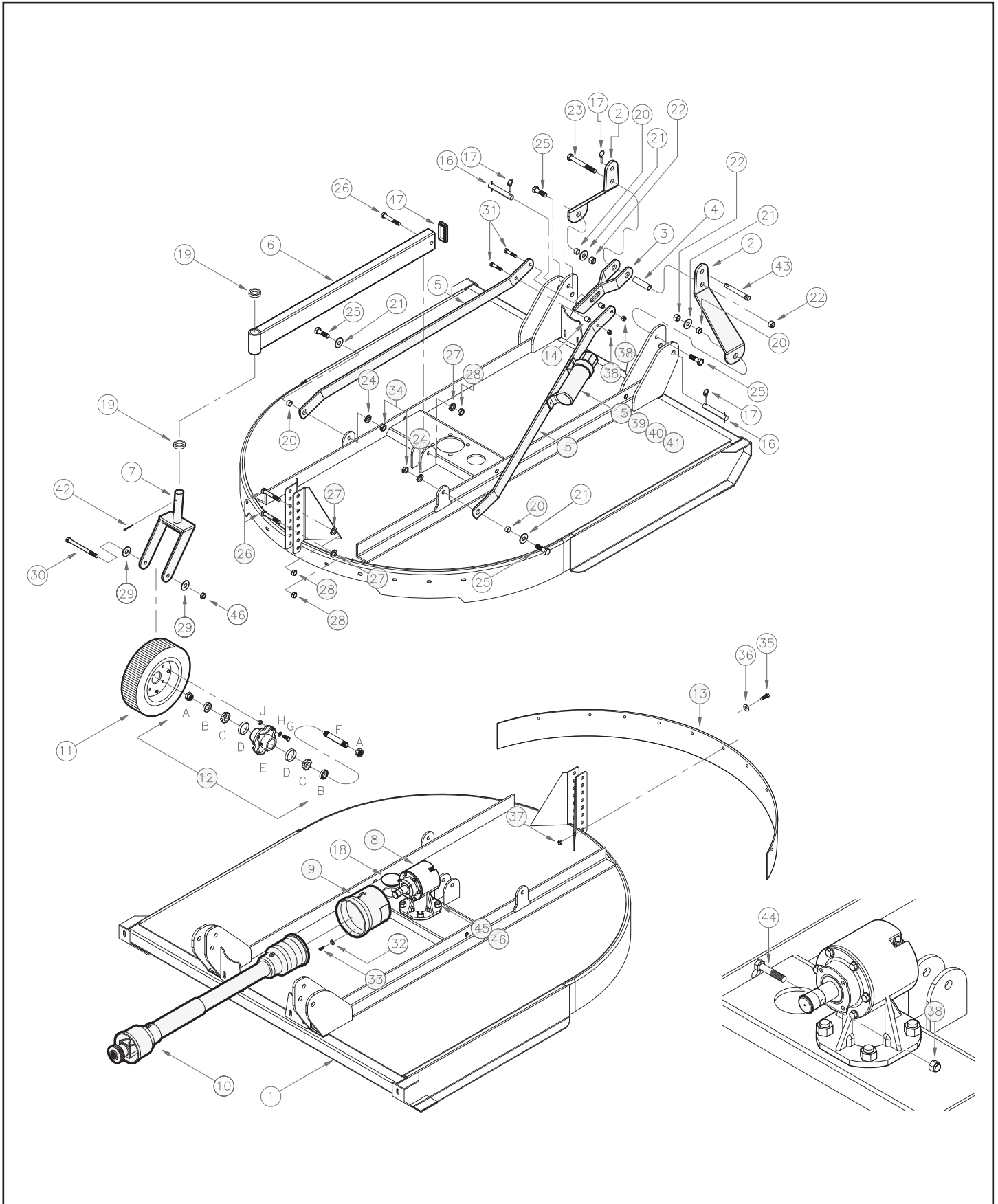


5' COMPETITOR QUICK ATTACH MAIN ASSEMBLY

5' QUICK ATTACH SUNSHINE PARTS LIST

NO.	PART NUMBER	QTY.	DESCRIPTION
01.....	401-QA5DECKWIP	XX	5' CUTTER Q/A BODY
02.....	610-7020	2	Q/A AFRAME
03.....	115-8134	1	QA "Y" PIVOT FLEX
04.....	412-5400	1	PIVOT BUSHING, 4"
05.....	116-1035	2	STIFF ARM
06.....	116-1030	1	TAIL WHEEL BOOM
07.....	116-6487-01	1	TAIL WHEEL YOKE
08.....	401-0007-01	1	GEARBOX
09.....	900-0003	1	GEARBOX SHIELD
10.....	343-135	1	PTO, COMPLETE
11.....	103-209	1	LAMINATED TAILWHEEL, 4X9
12.....	900-1444A	1	TAIL WHEEL HUB ASSEMBLY
12A.....	401-0065	2	TURNDOWN NUT, 1"
12B.....	322-2703	2	T/W SEAL
12C.....	324-3227	2	BEARING CONE, L44634
12D.....	324-3226	2	BEARING RACE, L44610
12E.....	325-2510	1	T/W HUB W/CUPS
12F.....	105-1159	1	5-3/8' THD T/W SLEEVE
12G.....	512-0650	4	BOLT, 1/2"-20 X 1"
12H.....	412-0072	4	LOCK WASHER, 1/2"
12J.....	412-0055	4	NUT, 1/2"-20
13.....	104-1907	1	REAR RUBBER SAFETY GUARD
14.....	412-5405	2	BUSHING, 1/2" SCH40 X 13/16"
15.....	412-9099	1	MANUAL HOLDER
16.....	412-6389	2	LIFT PIN, 7/8" X 5-1/2" CAT 1
17.....	154-1533	3	LYNCH PIN, 7/16"
18.....	116-1656	1	MOWER DECK PLUG
19.....	101-7552	2	SPACER, TW YOKE
20.....	412-5406	4	BUSHING, 1" SCH40 X 9/16"
21.....	412-0077	4	FLAT WASHER, 3/4"
22.....	412-0060	3	NYLOCK NUT, 3/4"
23.....	412-2133	1	BOLT, 3/4" X 6-1/2"
24.....	412-0074	2	LOCK WASHER, 3/4"
25.....	412-2755	4	BOLT, 3/4" X 2-1/2"
26.....	412-11320	3	BOLT, 5/8" X 4" GR5
27.....	412-0073	3	LOCK WASHER, 5/8"
28.....	412-0059	2	HEX NUT, 5/8"
29.....	412-0076	2	FLAT WASHER, 5/8'
30.....	412-5283	1	BOLT, 5/8" X 7-1/2" GR5
31.....	412-2085	2	BOLT, 1/2" X 2-1/2" GR5
32.....	412-0075	4	FLAT WASHER, 3/8"
33.....	412-2004	4	BOLT, 5/16" X 3/4"
34.....	412-0061	2	HEX NUT, 3/4"
35.....	412-7250	9	BOLT, 1/2" X 1"
36.....	412-0072-01	9	FLAT WASHER, 1/2"
37.....	412-0058	9	HEX NUT, 1/2"
38.....	412-3243	3	NYLOCK NUT, 1/2"
39.....	412-0009	2	BOLT, 1/4" X 1-1/4"
40.....	412-0007	2	LOCK WASHER, 1/4"
41.....	412-0082	2	HEX NUT, 1/4"
42.....	412-0081	1	COTTER PIN
43.....	150-1464	1	TOP LINK PIN, 4-3/4"
44.....	412-2088	1	BOLT, 1/2" X 3-1/4" GR2
45.....	115-8147	2	5/8" GEAR BOX BOLT STRAP
46.....	412-5284	5	NYLOCK NUT, 5/8"
47.....	116-1657	1	T/W BOOM PLUG

6' COMPETITOR QUICK ATTACH MAIN ASSEMBLY



6' COMPETITOR QUICK ATTACH MAIN ASSEMBLY

6' QUICK ATTACH SUNSHINE PARTS LIST

NO.	PART NUMBER	QTY.	DESCRIPTION
01.....	401-QA6DECKWIP.....	XX.....	6' CUTTER Q/A BODY
02.....	610-7020.....	2.....	Q/A A FRAME
03.....	115-8134.....	1.....	Q/A "Y" PIVOT FLEX
04.....	412-5400.....	1.....	PIVOT BUSHING, 4"
05.....	116-1035.....	2.....	STIFF ARM
06.....	116-7127.....	1.....	TAIL WHEEL BOOM
07.....	116-6487-01.....	1.....	TAIL WHEEL YOKE
08.....	401-0007.....	1.....	GEARBOX
09.....	900-0003.....	1.....	GEARBOX SHIELD
10.....	401-0306-6.....	1.....	PTO, COMPLETE
11.....	103-209.....	1.....	LAMINATED TAIL WHEEL, 4 X 9
12.....	900-1444A.....	1.....	TAIL WHEEL HUB ASSEMBLY
12A.....	401-0065.....	2.....	TURNDOWN NUT, 1"
12B.....	322-2703.....	2.....	T/W SEAL
12C.....	324-3227.....	2.....	BEARING CONE, L44634
12D.....	324-3226.....	2.....	BEARING RACE, L44610
12E.....	325-2510.....	1.....	T/W HUB W/CUPS
12F.....	105-1159.....	1.....	5-3/8" THD T/W SLEEVE
12G.....	512-0650.....	4.....	BOLT, 1/2"-20 X 1"
12H.....	412-0072.....	4.....	LOCK WASHER, 1/2"
12J.....	412-0055.....	4.....	NUT, 1/2" -20
13.....	104-1907.....	1.....	REAR RUBBER SAFETY GUARD
14.....	412-5405.....	2.....	BUSHING, 1/2" SCH40 X 13/16"
15.....	412-9099.....	1.....	MANUAL HOLDER
16.....	412-6389.....	2.....	LIFT PIN, 7/8" X 5-1/2", CAT 1
17.....	154-1533.....	3.....	LYNCH PIN, 7/16"
18.....	116-1656.....	1.....	MOWER DECK PLUG
19.....	101-7552.....	2.....	SPACER, T/W YOKE
20.....	412-5406.....	4.....	BUSHING, 1" SCH40 X 9/16"
21.....	412-0077.....	4.....	FLAT WASHER, 3/4"
22.....	412-0060.....	3.....	NYLOCK NUT, 3/4"
23.....	412-2133.....	1.....	BOLT, 3/4" X 6-1/2"
24.....	412-0074.....	2.....	LOCK WASHER, 3/4"
25.....	412-2755.....	4.....	BOLT, 3/4" X 2-1/2"
26.....	412-11320.....	3.....	BOLT, 5/8" X 4" GR5
27.....	412-0073.....	3.....	LOCK WASHER, 5/8"
28.....	412-0059.....	3.....	HEX NUT, 5/8"
29.....	412-0076.....	2.....	FLAT WASHER, 5/8"
30.....	412-5283.....	1.....	BOLT, 5/8" X 7-1/2" GR5
31.....	412-2085.....	2.....	BOLT, 1/2" X 2-1/2" GR5
32.....	412-0075.....	4.....	FLAT WASHER, 3/8"
33.....	412-2004.....	4.....	BOLT, 5/16" X 3/4"
34.....	412-0061.....	2.....	HEX NUT, 3/4"
35.....	412-7250.....	11.....	BOLT, 1/2" X 1"
36.....	412-0072-01.....	11.....	FLAT WASHER, 1/2"
37.....	412-0058.....	11.....	HEX NUT, 1/2"
38.....	412-3243.....	3.....	NYLOCK NUT, 1/2"
39.....	412-0009.....	2.....	BOLT, 1/4" X 1-1/4"
40.....	412-0007.....	2.....	LOCK WASHER, 1/4"
41.....	412-0082.....	2.....	HEX NUT, 1/4"
42.....	412-0081.....	1.....	COTTER PIN
43.....	150-1464.....	1.....	TOP LINK PIN, 4-3/4"
44.....	412-2088.....	1.....	BOLT, 1/2" X 3-1/4" GR2
45.....	115-8147.....	2.....	5/8" GEAR BOX BOLT STRAP
46.....	412-5284.....	5.....	NYLOCK NUT, 5/8"
47.....	116-1657.....	1.....	TW BOOM PLUG