

SUMMER 2008

4'•5'•6' UTILITY BLADE

Operator's Manual

MODERN
AG PRODUCTS, LTD.

YOU'RE ALWAYS AHEAD...WITH A MODERN BEHIND.

003-5335PC
003-5524PC
003-8443PC

P.O. BOX 790 • BEAUMONT, TX 77704
409.833.2665 • 1.800.231.8198 FAX: 409.726.8333
www.modernusa.com

Go Galvanized!

CHECK LIST

PRE-DELIVERY CHECKLIST

Inspect the blade thoroughly after assembly to be certain it is set up properly before delivering it to the customer. The following checklist is a reminder of points to inspect. Check off each item as it is found satisfactory or after proper adjustment is made.

DELIVERY CHECKLIST

___ Remove and reposition center scarifier shank that is bolted in an upside down shipping position.

___ Show customer how to make adjustments.

___ Point out safety features.

___ Give Operator's Manual to the customer and ask him to familiarize himself with all sections of it.

DAILY CHECKLIST

___ Check that unit is properly and securely attached to tractor.

___ During inspection, check that all hardware is secure and cotter pins are in place.

___ Check that cutting edge of blade is in good condition.


I have thoroughly instructed the buyer on the above described equipment, the review included the Operator's Manual content, equipment care, adjustments and safety information.

Date _____ Dealer's Rep Signature _____

The above equipment and Operator's Manual have been received by me and I have been thoroughly instructed as to care, adjustments and safe operations.

Date _____ Owner's Signature _____

SAFETY SECTION

The **SAFETY ALERT SYMBOL**  indicates that there is a potential hazard to personal safety involved and extra safety precautions must be taken. When you see this symbol on your machine or in this manual, be alert and carefully read the message that follows it.

DANGER: Indicates an imminently hazardous situation which, if not avoided, will result in death or serious injury. This signal word is limited to the most extreme situations.

WARNING: Indicates a potentially hazardous situation which, if not avoided, could result in death or serious injury.

CAUTION: Indicates a potentially hazardous situation which, if not avoided, may result in minor or moderate injury. It may also be used to alert against unsafe practices.

OPERATION

WARNING

Know your controls and how to stop tractor and engine quickly in an emergency. **READ THIS MANUAL AND THE ONE PROVIDED WITH YOUR TRACTOR.**

To avoid accident or injury, do not allow anyone to operate this equipment without proper instructions. Any person who operates this equipment must be instructed in and be capable of the safe operation of the unit, its attachments and all controls.

Always wear relatively tight and belted clothing to avoid entanglement in moving parts. Wear sturdy, rough soled work shoes. Never operate tractor or implements in bare feet, sandals or sneakers.

WARNING

Do not let anyone operate the machine and scraper without proper instruction.

Operate scraper only from operator's seat. Avoid excessive rate of drop.

Keep children and others away when you operate machine.

Always lower the blade to the ground and stop engine before getting off the tractor.

Look carefully behind tractor for children before you back up.

CAUTION

DO NOT allow children to operate tractor.

DANGER

Do not tow anything with scraper.

Do not allow riders on blade at any time. Do not stand or ride in or on scraper.

SAFETY SECTION continued

WARNING

When turning close to buildings or passing through narrow areas, be sure to allow sufficient clearance for the blade.

Avoid catching the blade on stumps or other immovable objects.

Use extra caution when backfilling deep holes or trenches.

Make adjustments only when the blade is attached to the tractor and lowered to a position to allow safe adjustments.

Keep all people and pets at a safe distance away when operating the blade.

Always comply with all state and local lighting and marking requirements when operating on highways.

Periodically tighten all hardware to ensure unit is in a safe condition.

MAINTENANCE

CAUTION

Travel slowly over rough terrain.

Use care when ditching on slopes.

Keep engine free of grass, leaves or excess grease to reduce fire hazard.

Sand areas where paint is chipped and repaint to prevent rust.

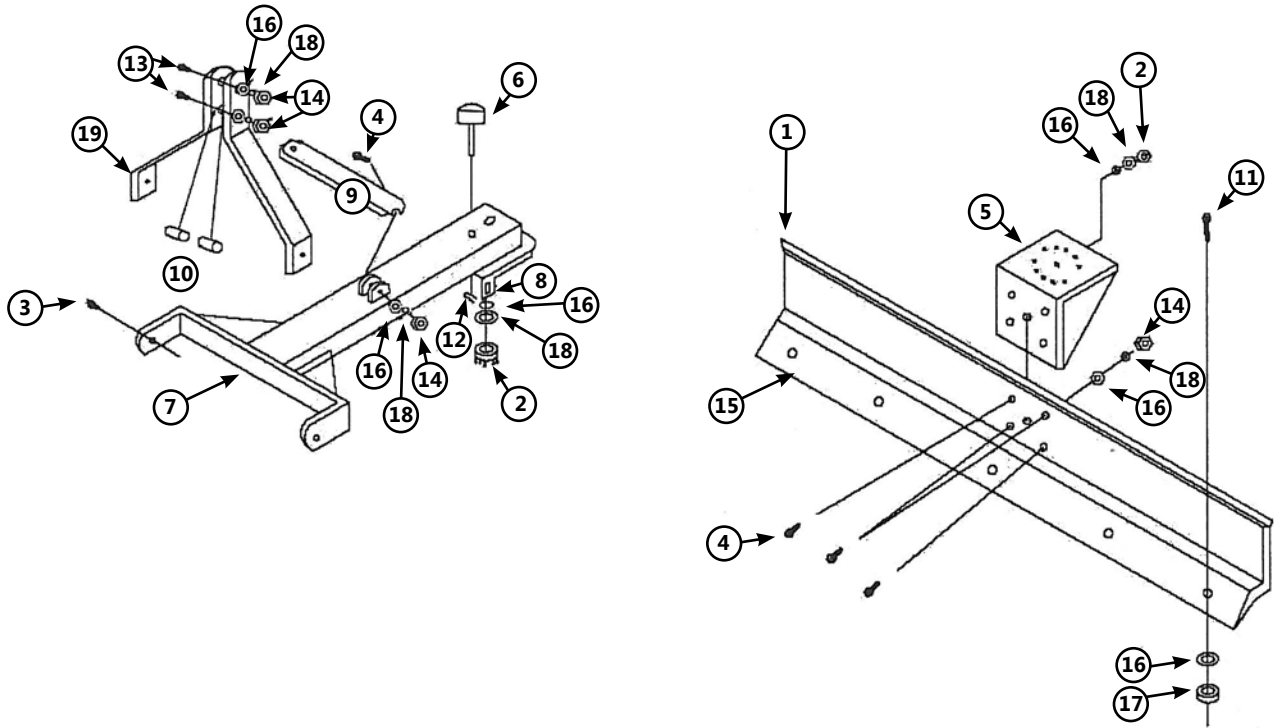
Store unit where it cannot fall or tip and injure someone.

DANGER

When removing, changing the angle, or reversing the blade, be sure that your feet are never under the blade.

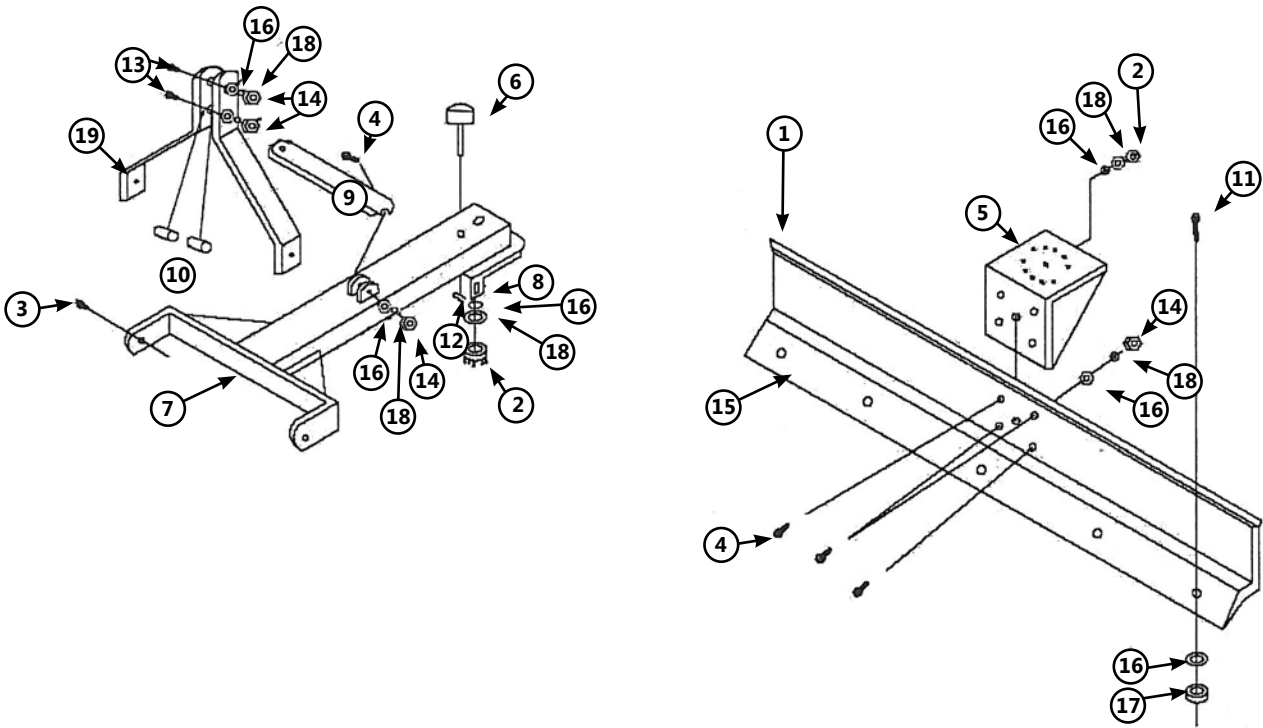
Never work on unit without safety blocks.

5FT UTILITY BLADE



ITEM	PART NO.	QUANTITY	DESCRIPTION
1	3PTGB5-1	1	Moldboard
2	3PTGB5-2	1	Slotted Nut
3	3PTGB5-3	2	Lift Pin
4	3PTGB5-4	6	5/8" x 2" Bolt
5	3PTGB5-5	1	Angle Plate Assy
6	3PTGB5-6	1	Pull Pin
7	3PTGB5-7	1	Main Frame Weld
8	3PTGB5-8	1	Threaded Stud
9	3PTGB5-9	1	A-Frame Brace
10	3PTGB5-10	2	Spacer
11	3PTGB5-11	5	5/8" x 2" Bolt Plow
12	3PTGB5-12	1	Hair Pin
13	3PTGB5-13	2	5/8" x 4" Bolt
14	3PTGB5-14	9	Locking Nut
15	3PTGB5-15	1	5' Cutting Edge
16	3PTGB5-16	14	Spring Washer
17	3PTGB5-17	4	5/8" Nut
18	3PTGB5-18	9	5/8" Flat Washer
19	3PTGB5-19	2	A-Frame

6FT UTILITY BLADE



ITEM	PART NO.	QUANTITY	DESCRIPTION
1	3PTGB6-1	1	Moldboard
2	3PTGB6-2	1	Slotted Nut
3	3PTGB6-3	2	Lift Pin
4	3PTGB6-4	6	5/8" x 2" Bolt
5	3PTGB6-5	1	Angle Plate Assy
6	3PTGB6-6	1	Pull Pin
7	3PTGB6-7	1	Main Frame Weld
8	3PTGB6-8	1	Threaded Stud
9	3PTGB6-9	1	A-Frame Brace
10	3PTGB6-10	2	Spacer
11	3PTGB6-11	5	5/8" x 2" Bolt Plow
12	3PTGB6-12	1	Hair Pin
13	3PTGB6-13	2	5/8" x 4" Bolt
14	3PTGB6-14	9	Locking Nut
15	3PTGB6-15	1	6' Cutting Edge
16	3PTGB6-16	14	Spring Washer
17	3PTGB6-17	4	5/8" Nut
18	3PTGB6-18	9	5/8" Flat Washer
19	3PTGB6-19	2	A-Frame

LIMITED WARRANTY POLICY & REGISTRATION

Modern, Inc. warrants its products for a period of one year after date of sale by authorized dealer to be free from defects in material and workmanship, and will replace at its factory, any parts that will be returned, with shipping charges prepaid, and when examined by us, will disclose it to be defective. This warranty will not apply to implements or parts that have been subjected to misuse, negligence, accident, or that have been altered or repaired.

1. Parts may not be returned without authorization by ModernAg Products.
2. All products returned under warranty inspection claim must be returned PREPAID to our factory.
3. Our obligation under the above warranty is limited to repair or replacement at our factory of any part or parts which Modern, Inc. decides to be defective.
4. Products or parts that have been examined by Modern, Inc. and determined to be improperly operated, damaged by accident or negligence, field repaired or altered, are not covered by this warranty.
5. Modern, Inc. reserves the right to change our specification and designs at any time.
6. This warranty will not obligate Modern, Inc. to bear any cost of labor for field replacement, testing, or adjustment.

DEALER: I hereby certify that:

1. The machine has been correctly assembled in accordance with manufacturers instructions.
2. All bolts have been checked and tightened.
3. All other pre-delivery checks have been completed as per operators manual.
4. Purchaser was given operators manual and instructed in safe and correct usage of machine and on limitation of warranty.
5. Machine was tested and operates correctly.

PURCHASER: I hereby certify that:

1. The machine is correctly assembled.
2. Receipt of the operators manual which I have read and clearly understood.
3. I have a clear understanding of the warranty limitations.
4. I have a clear understanding on the correct and safe operation of the machine
5. That the machine needs regular maintenance as per instructions in operators manual.
6. I have a clear understanding on the capacity of this machine and am aware of its limitations.

MODEL _____

SERIAL # _____

DEALER _____

DATE DELIVERED _____

DEALER'S STAMP

MAIL TO:

PURCHASERS ADDRESS: